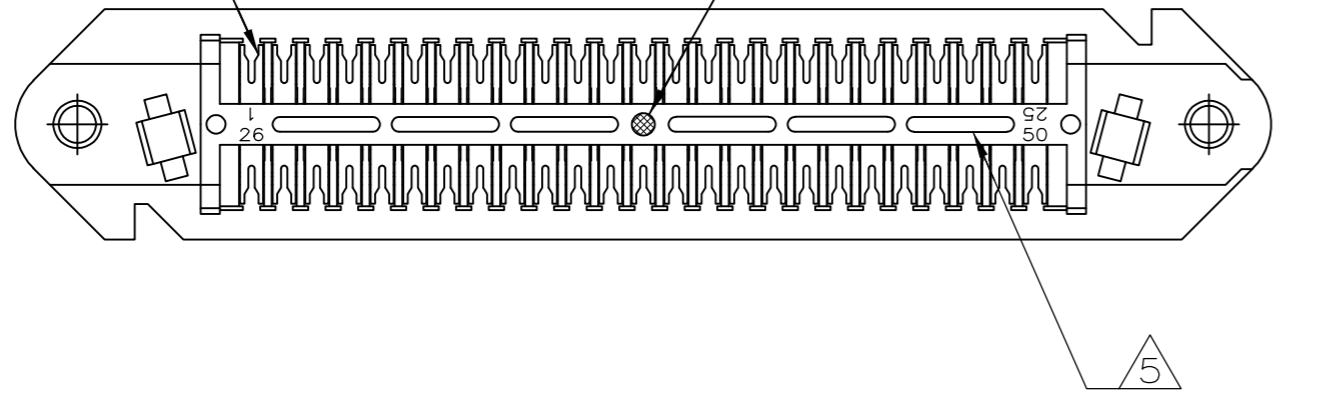


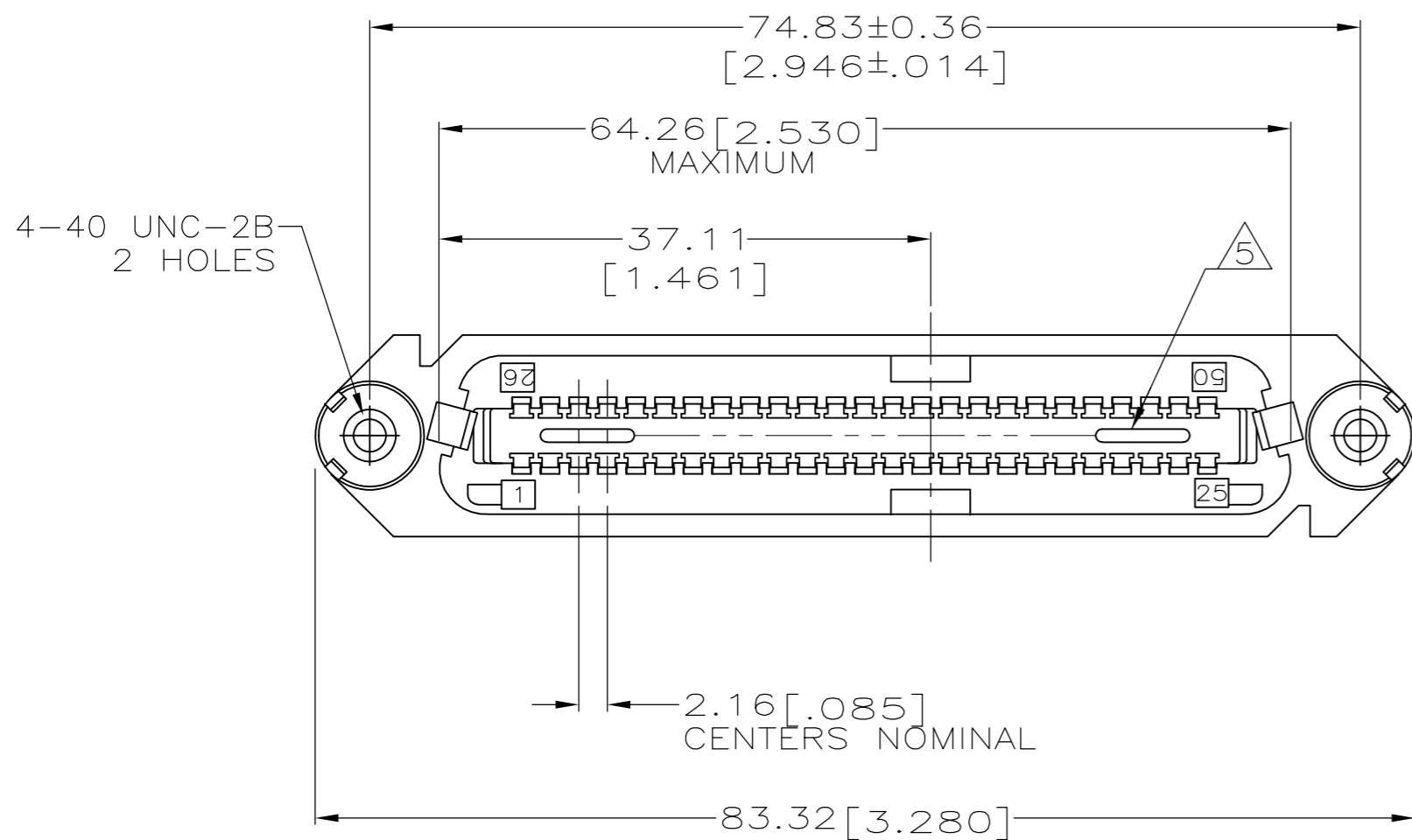
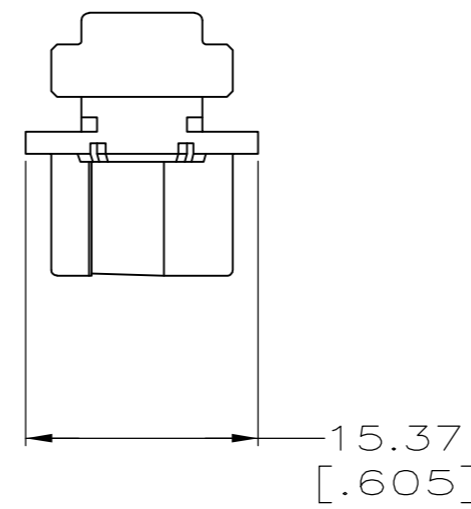
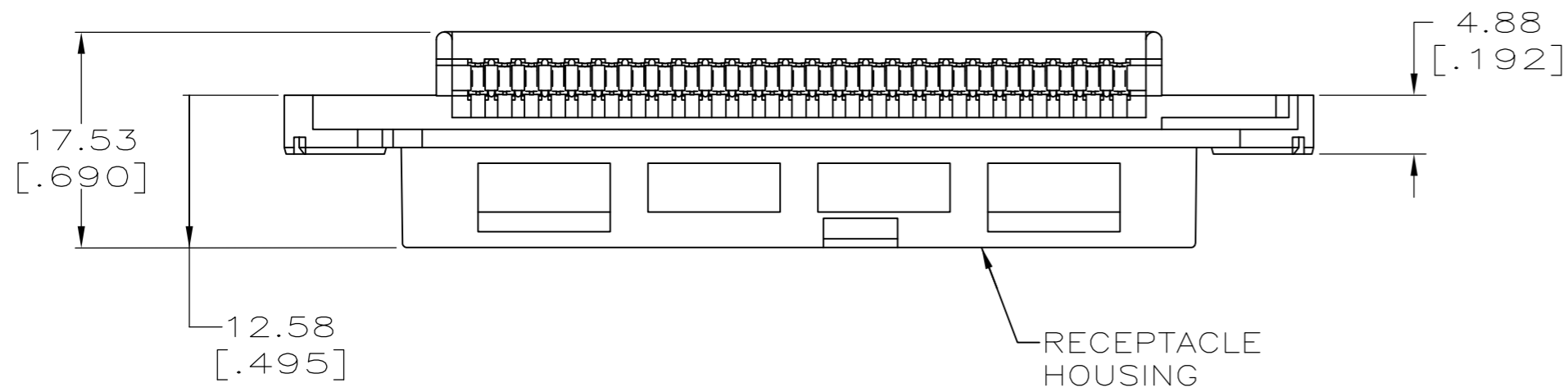
THIS DRAWING IS UNPUBLISHED. RELEASED FOR PUBLICATION
 © COPYRIGHT BY TYCO ELECTRONICS CORPORATION. ALL RIGHTS RESERVED.

LOC		DIST		REVISIONS			
P	LTR	DESCRIPTION	DATE	DWN	APVD		
GO	00	R	REVISED PER ECO-08-007327	05SEP08	BM	WM	

TERMINAL QUANTITY 50
 BLUE COLOR DOT LOCATED IN CENTER



1. THE CONTACT SURFACES OF THE TERMINALS ARE COATED WITH LUBRICANT.
2. ALL DIMENSIONS ARE MAXIMUM UNLESS OTHERWISE SPECIFIED.
3. MATERIAL: HOUSING - THERMOPLASTIC. TERMINAL - HIGH STRENGTH COPPER ALLOY PLATED WITH 0.76µm [.000030] MIN GOLD OR GOLD FLASH OVER PALLADIUM NICKEL PLATE, 0.76µm [.000030] MIN TOTAL ON MATING SURFACE, OVER 1.27µm [.000050] MIN NICKEL PLATING.
4. WIRE SIZE: 24 & 26 AWG SOLID OR 24 AWG 7 STRANDS OF COPPER CONDUCTORS. MAXIMUM INSULATION DIAMETER OF 1.14[.045] IS ACCEPTABLE FOR MOST APPLICATIONS.
5. CORING MAY OR MAY NOT APPEAR AND IS AT THE DISCRETION OF AMP INCORPORATED.



GRAY	229975-4
BLACK	229975-1
COLOR	PART NUMBER

THIS DRAWING IS A CONTROLLED DOCUMENT.		DWN S. DOSS 12 FEB 80	Tyco Electronics Corporation Harrisburg, PA 17105-3608	
DIMENSIONS: mm [INCHES]		CHK V.E. SLACK 14 FEB 80	NAME RECEPTACLE ASSEMBLY, 50 POSITION, B-SLOT, WITH 4-40 HOLES, CHAMP-LOK®	
TOLERANCES UNLESS OTHERWISE SPECIFIED:		APVD B. WARD 14 FEB 80	SIZE A2 CAGE CODE 00779 DRAWING NO C=229975	
0 PLC ± -		PRODUCT SPEC -	RESTRICTED TO -	
1 PLC ± -		APPLICATION SPEC -	SCALE 2:1 SHEET 1 OF 1	
2 PLC ± -		WEIGHT -	REV R	
3 PLC ± -		CUSTOMER DRAWING		
4 PLC ± -				
ANGLES ± -				
FINISH				